

# ANGLE VALVE WITH ROUND HANDLE

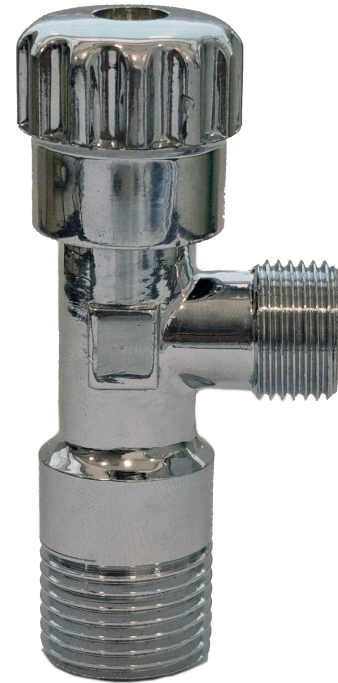
5 Years  
Warranty

## SPECIFICATIONS

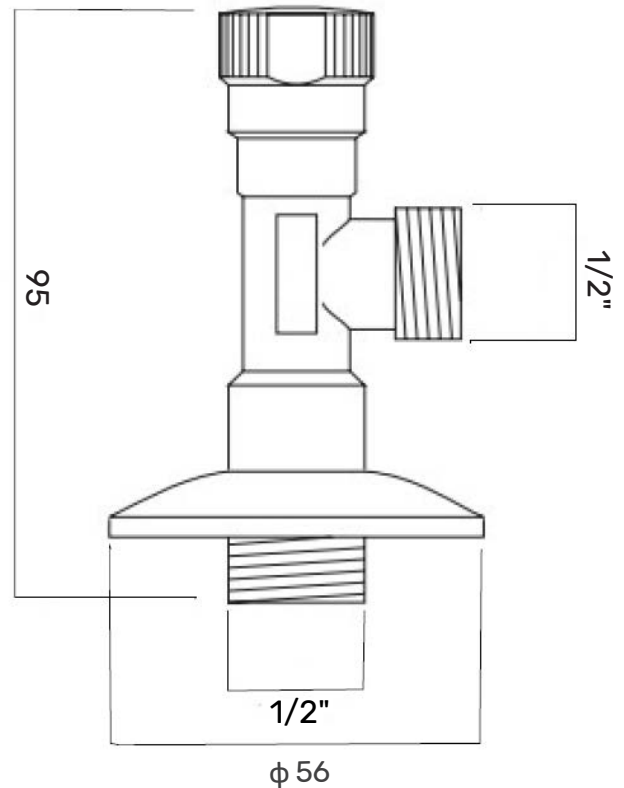
BRAND	-	AQUANOX
RANGE	-	ANGLE VALVE
PRODUCT CODE	-	5251
PRODUCT TYPE	-	ROUND HANDLE

## TECHNICAL INFORMATION

BODY	-	BRASS
FINISH	-	CHROME PLATED
ACCESSORIES	-	HOT AND COLD PVC INDICIES
INLET SIZE	-	1/2"
OUTLET SIZE	-	1/2"
MAX. WORKING TEMPERATURE	-	85°C
MAX. WORKING PRESSURE	-	10 BAR
STANDARD	-	TESTED TO <b>BS 6920</b> PART 1:2014
APPLICATION	-	POTABLE WATER APPLICATIONS



## DRAWINGS



Partial dimensions in mm.  
We reserve the rights to change the design/dimensions without any notice.

