

FLANGED DIELECTRIC UNION - FEMALE X BPT

**5 Years
Warranty**



SPECIFICATIONS

BRAND	
RANGE	- VALVE
PRODUCT CODE	- AQ65FF, AQ80FF, AQ100FF
PRODUCT TYPE	- SOLID TOP
MATERIAL	- BRASS

TECHNICAL INFORMATION

VALVE	
MAX. WORKING PRESSURE	- 232.06PSI (16BAR)
MAX. WORKING TEMPERATURE	- 180°F (82°C)
DIELECTRIC STRENGTH	- >600 VOLTS/MIL

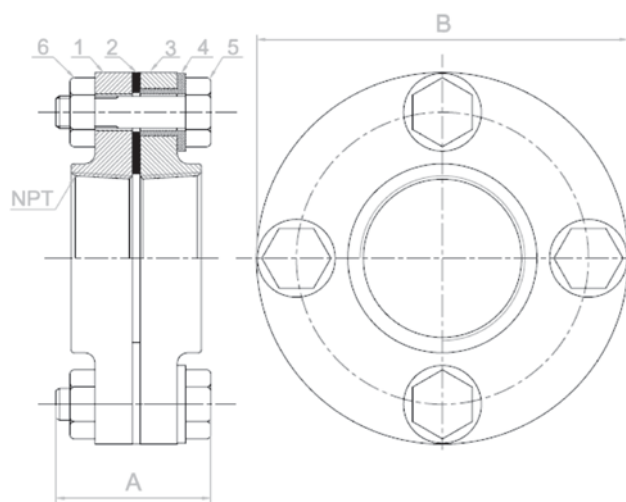
MODEL	SIZE	A	B
AQ65FF	2-1/2"	2.36	7.01
AQ80FF	3"	2.52	7.53
AQ100FF	4"	2.76	9.14

* 6" dia and 8" dia sizes are available on request

MATERIAL	FINISH
SS304 GRADE <input type="checkbox"/>	MIRROR FINISH <input type="checkbox"/>
SS316 GRADE <input type="checkbox"/>	BRUSH FINISH <input type="checkbox"/>

OPTIONAL EXTRAS
STAINLESS STEEL 304 <input type="checkbox"/>
STAINLESS STEEL 316 <input type="checkbox"/>

DRAWINGS



All dimensions in mm.
We reserve the rights to change the design/dimensions without any notice.