

# STAINLESS STEEL RECESSED TYPE FLOOR DRAIN

**20 Years**  
Warranty

## SPECIFICATIONS

BRAND	-	AQUANOX
RANGE	-	FLOOR DRAINS
PRODUCT CODE	-	574
PRODUCT TYPE	-	FLOOR DRAIN
MATERIAL	-	STAINLESS STEEL

## TECHNICAL INFORMATION

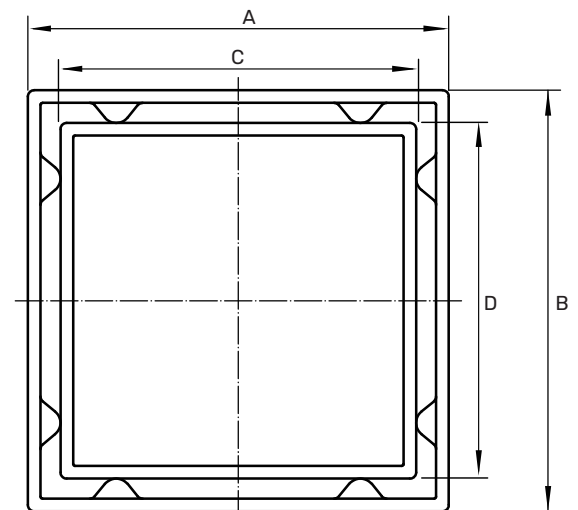
FLOOR DRAIN WITH COVER		
SIZE	-	100 X 100MM
HEIGHT	-	84X84
SIDE OUTLET	-	75

MATERIAL	FINISH
SS304 GRADE <input type="checkbox"/>	MIRROR FINISH <input type="checkbox"/>
SS316 GRADE <input type="checkbox"/>	BRUSH FINISH <input type="checkbox"/>

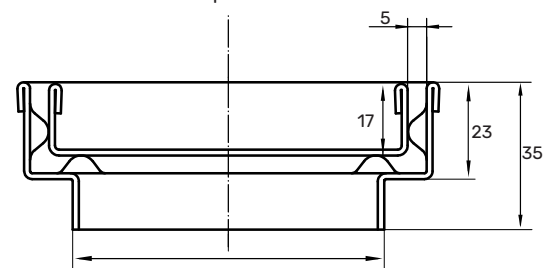
OPTIONAL EXTRAS
STAINLESS STEEL 304 <input type="checkbox"/>
STAINLESS STEEL 316 <input type="checkbox"/>



## DRAWINGS



Top View



Side View

All dimensions in mm.  
We reserve the rights to change the design/dimensions without any notice.

