

STAINLESS STEEL RECESSED TYPE FLOOR CLEANOUT

20 Years
Warranty

SPECIFICATIONS

BRAND	-	AQUANOX
RANGE	-	FLOOR DRAINS
PRODUCT CODE	-	571
PRODUCT TYPE	-	FLOOR DRAIN
MATERIAL	-	STAINLESS STEEL

TECHNICAL INFORMATION

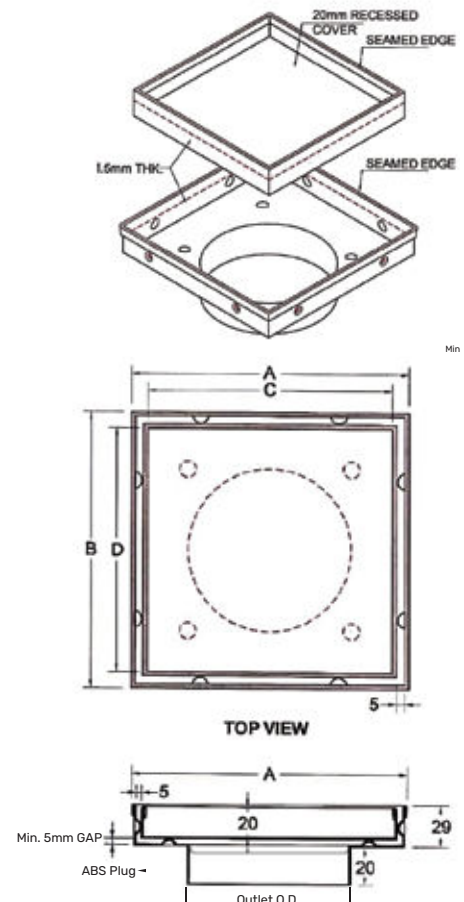
FLOOR DRAIN WITH COVER		
SIZE	-	150X150MM
HEIGHT	-	126X126
SIDE OUTLET	-	100

MATERIAL		FINISH	
SS304 GRADE	<input type="checkbox"/>	MIRROR FINISH	<input type="checkbox"/>
SS316 GRADE	<input type="checkbox"/>	BRUSH FINISH	<input type="checkbox"/>

OPTIONAL EXTRAS	
STAINLESS STEEL 304	<input type="checkbox"/>
STAINLESS STEEL 316	<input type="checkbox"/>



DRAWINGS



All dimensions in mm.
We reserve the rights to change the design/dimensions without any notice.