

# BALCONY DRAINS 270

**20 Years  
Warranty**

## SPECIFICATIONS

BRAND	AQUANOX
RANGE	FLOOR DRAINS
PRODUCT CODE	270
PRODUCT TYPE	FLOOR DRAIN
MATERIAL	STAINLESS STEEL
CONNECTION SIZE	ØXXMM

## TECHNICAL INFORMATION

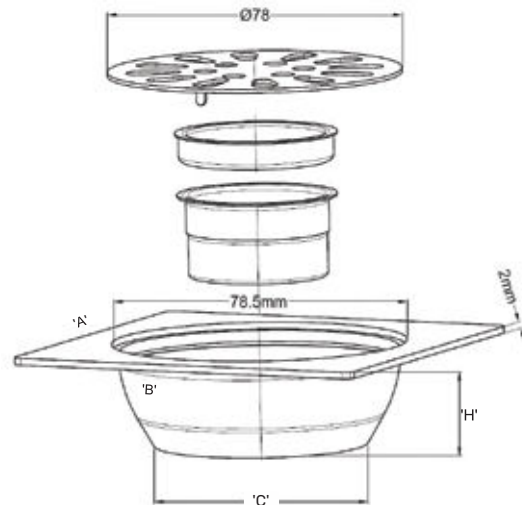
FLOOR DRAIN WITH COVER
SIZE : 100 X 100MM
VERTICAL OUTLET : ØXXMM DIA
THICKNESS : XXMM

MATERIAL	FINISH
SS304 GRADE <input type="checkbox"/>	MIRROR FINISH <input type="checkbox"/>
SS316 GRADE <input type="checkbox"/>	BRUSH FINISH <input type="checkbox"/>

OPTIONAL EXTRAS
STAINLESS STEEL 304 <input type="checkbox"/>
STAINLESS STEEL 316 <input type="checkbox"/>



## DRAWINGS



All dimensions in mm.  
We reserve the rights to change the design/dimensions without any notice.

